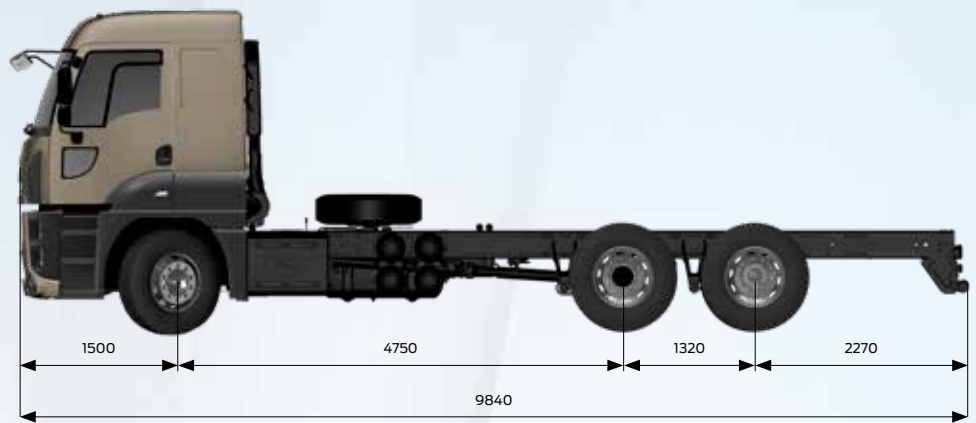
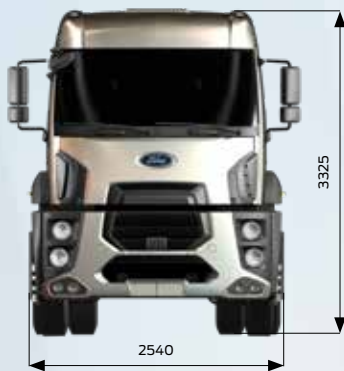


FORD TRUCKS 2542 HR EURO6



Basic Features

Vehicle Type	Road Truck
Axle	6x2
Emission	Euro 6
Cabin Type	High Roof Sleeper Cab
Wheelbase (mm)	4750

Engine

Type	Ecotorq 12,7 litre
Displacement (cc)	12740
Diameter x Stroke	130 mm x 160 mm
Power	420 PS (308,9 kW) / 1800 rpm
Torque	2150 Nm / 1000-1300 rpm
Compression Ratio	17 +/- 0,5 : 1
Oil Filling Volume	50 L
Coolant Volume	57 L (77 L with Intarder)

Transmission

Clutch	430 mm Single Disc
Automated Transmission / Ratios (1. gear - 12. gear)	ZF 12 TX 2210 (16,688 - 1)

Steering

Power Assisted Single Circuit

Chassis

Chassis Thickness	7 mm with Reinforcement
Chassis Strength	355 MPa
Suspension (Front/Rear)	Parabolic Leaf Spring / Compensating Arm Mechanical Suspension
Axle	Standard Single Reduction
Axle Ratio	2,64
Tyres (Front/Rear)	12 R 22,5
Wheel Rim	22,5 x 9 Steel

Braking System

Brakes (Front/Rear) (Ø.mm x mm. Length)	430 mm Disc Brakes
Braking System	Dual Brake Circuit - Air Processing Unit with Integrated Oil Separator and Heater
Engine Brake Power	max. 320 kW (Engine Level)
Intarder Power	max. 600 kW / continuous 160 kW

Electrical System

Battery	24V, 2 x 12V 180 Ah
Alternator / Starter Motor	130 A / 6,5 kW

Tanks

Fuel Tank	550 L Aluminium
SCR Tank	78 L



Sharing the load

Dimensions (mm)	
Front Overhang	1500
Wheelbase	4750
Overall Length	9840
Distance Between 2 nd and 3 th Wheel Centers	1330
Overall Cab Length	2305
Overall Vehicle Height	3325
Overall Vehicle Width (Excluding Mirrors)	2540
Chassis Width	866
Rear Overhang	2270
Useful Chassis Length	7108
Chassis Height - Front	1059
Chassis Height - Rear	1081
Ground Clearance - Front	303
Ground Clearance - Rear	251
Turning Radius	10140

Weights (kg)	1. Axle	2. Axle	3. Axle	Total
Technically Permissible Weights	7100	12600	10400	26000
Kerb Weight	5396	2274	1546	9216
Payload	1704	10326	8854	16784
GVM (Legal)	7100	11500	10000	25000

STANDARD EQUIPMENT

- Air Conditioner
- Auxiliary Cabin Heater (Dry Type)
- Radio/CD/MP3 Player
- Cruise Control
- Automated Transmission (With Different Usage Modes)
- Disc Brake
- Engine Brake
- Electronic Brake System (EBS) Including Anti-Lock Brake System (ABS)
- Electronic Stability Control (ESP)
- Lane Departure Warning System (LDWS)
- Hill Launch Assist
- Differential Lock
- Electrically Operated Windows
- Electrically Operated and Heated Side Mirrors
- Heated and Air Suspended Driver Seat
- Electrically Operated Headlight Leveling
- Rake and Reach Adjustable Steering Column
- Lumbar Support
- Manually Operated Sunroof
- Brake Lining Wear Sensor
- Immobilizer
- Single Key with Remote Control and Central Locking
- Home Safe Light
- Approach Light
- Front Fog Lamps
- Digital Tachograph
- Spare Wheel
- Tag Axle Lifting (Auto Drop Function)
- Air Suspended Cab
- Advanced Emergency Braking System (AEBS)

OPTIONAL EQUIPMENT

- Firefighter Pack
- Engine Driven PTO & Interior Control Unit *
- Transmission Driven PTO Options & Interior Control Unit
- ADR
- Cold Climate Pack
- Auxiliary Cabin Heater (Wet Type)
- Power Cab Tilting
- Metallic Paint / Special Colors
- Intarder
- Upper Sleeper Bunk
- Spoiler
- 8T Front Axle Technical Capacity (Available with 315/80 R22,5 Tyres) (except 5500 WB)
- Rain Sensor
- Auto Light Sensor
- Less Spare Tire

* Available for Firefighter Pack Only