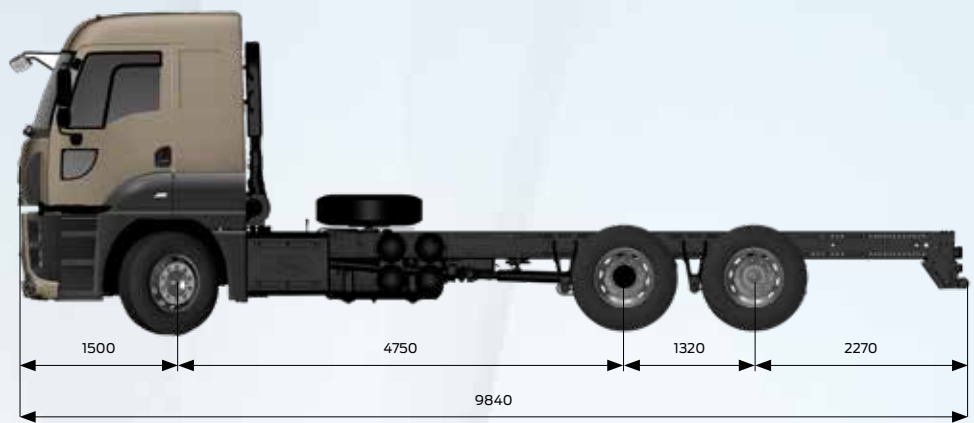
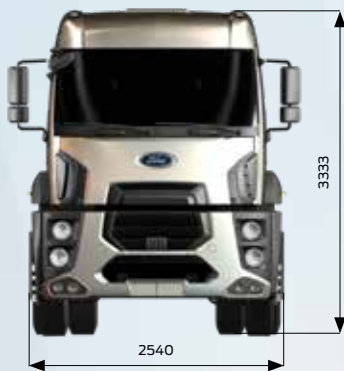


FORD TRUCKS 2533 HR EURO6



Basic Features

Vehicle Type	Road Truck
Axle	6x2
Emission	Euro 6
Cabin Type	High Roof Sleeper Cab
Wheelbase (mm)	4750

Engine

Type	Ecotorq 9 liters
Displacement (cc)	8974
Diameter x Stroke	115 mm x 144 mm
Power	330 PS (243 kW) @ 1655 - 2200 rpm
Torque	1300 Nm @ 1200-1700 rpm
Compression Ratio	17,6 : 1
Oil Filling Volume	30 L
Coolant Volume	46 L

Transmission

Clutch	430 mm Single Disc
Manuel Transmission / Ratios (1.gear - 9. gear)	9+1 Speed (9,40 - 0,75)
Automated Transmission / Ratios (1.gear - 9 gear)	9+1 Speed (9,48 - 0,75)

Steering

Power Assisted Single Circuit

Chassis

Chassis Thickness	7 mm with Reinforcement
Chassis Strength	355 MPa
Suspension (Front/Rear)	Parabolic Leaf Spring / Compensating Arm Mechanical Suspension
Axle	Standard Single Reduction
Axle Ratio	4,375
Tyres (Front/Rear)	315/80 R 22,5
Wheel Rim	22,5 x 9 Steel

Braking System

Brakes (Front/Rear) (Ø.mm x mm. Length)	430 x 45 mm - Disc Brake
Braking System	Dual Brake Circuit - Air Processing Unit With Integrated Oil Seperator and Heater
Engine Brake Power	max. 220 kW (Engine Level)

Electrical System

Battery	24V, 2 x 12V 180 Ah
Alternator / Starter Motor	130 A / 6,5 kW

Tanks

Fuel Tank	550 L Aluminium
SCR Tank	78 L



Sharing the load

Dimensions (mm)	
Front Overhang	1500
Wheelbase	4750
Overall Length	9840
Distance between 2 nd and 3 th wheel centers	1320
Overall Cab Length	2305
Overall Vehicle Height	3333
Overall Vehicle Width (Excluding Mirrors)	2540
Chassis Width	866
Rear Overhang	2270
Useful Chassis Length	7100
Chassis Height - Front	1073
Chassis Height - Rear	1078
Ground Clearance - Front	303
Ground Clearance - Rear	248
Turning Radius	10140

Weights (kg)	1. Axle	2. Axle	3. Axle	Total
Technically Permissible Weights	7100	12000	8700	26000
Kerb Weight	4821	1893	1452	8166
Payload	2279	10107	7248	17834
GVM (Legal)	7100	11500	8700	25000

STANDARD EQUIPMENT

- Air Conditioner
- Radio/CD/MP3 Player
- Cruise Control
- Disc Brake
- Engine Brake
- Electronic Brake System (EBS) including Anti-Lock Brake System (ABS)
- Electrically Operated Windows
- Electrically Operated and Heated Side Mirrors
- Electrically Operated Headlight Levelling
- Lane Departure Warning System (LDWS)
- Hill Launch Assist
- Differential Lock
- Spare Wheel
- Manually Operated Sunroof
- Heated and Air Suspended Driver Seat
- Lumbar Support
- Digital Tachograph
- Rake and Reach Adjustable Steering Column
- Front Fog Lamps
- Immobilizer
- Single Key with Remote Control and Central Locking
- Rear Mechanical Suspension
- Electronic Stability Control (ESP)
- Home Safe Light
- Approach Light
- Brake Lining Wear Sensor
- Tag Axle Lifting (Auto Drop Function)
- Auxiliary Cabin Heater (Dry Type)
- Advanced Emergency Braking System (AEBS)

OPTIONAL EQUIPMENT

- Firefighter Pack
- Clutch Dependent PTO & Interior Control Unit
- Engine Driven PTO & Interior Control Unit *
- ADR
- Cold Climate Pack
- Power Cab Tilting
- Auxiliary Cabin Heater (Wet Type)
- Metallic Paint / Special Colors
- 12 R 22,5 Tyre Option
- Low Roof Sleeper Cabin Option
- Low Liner Pack - with 315/60 Tyre and 4,11 Axle Ratio
- Upper Bed
- 3,5T Towing Capability
- 10T Towing Capability with 4,89 FDR
- 8T Front Axle Technical Capacity (Available with 315/80 R22,5 Tyres) (except 5500 WB)
- Rain Sensor
- Auto Light Sensor
- Automated Transmission
- Less Spare Tire

* Available for Firefighter Pack Only.

This leaflet includes products designed for Ford vehicles. It provides information about the current technical specifications and the standard or optional accessories available as of the date it was issued. Features of standard and optional accessories of the vehicles may be changed from time to time. For this reason, please consult our Authorized Dealers to obtain updated and accurate information on the features of the vehicle you wish to buy. For the aforementioned reason, this leaflet does not constitute an assurance as to the specifications listed herein. The images used in this leaflet may be different from the vehicles on sale. The technical specifications provided herein are for standard vehicles. Selection of any optional accessories might cause differences from these specifications.