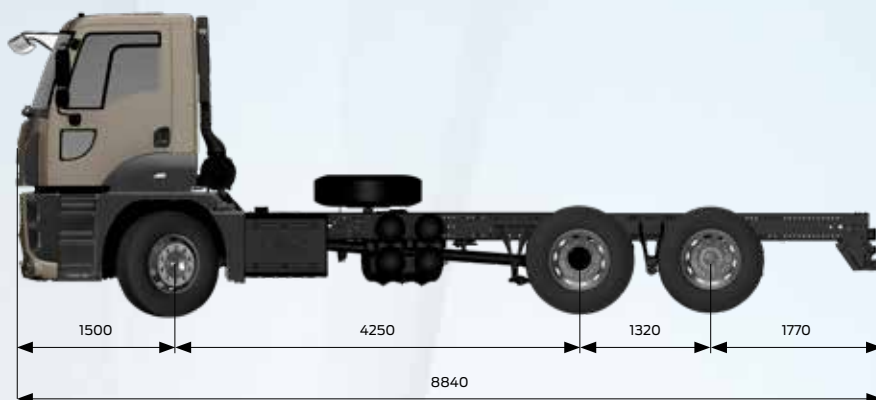


# FORD TRUCKS 2533 DC EURO6



## Basic Features

Vehicle Type	Light Road Truck
Axle	6x2
Emission	Euro 6
Cabin Type	Day Cab
Wheelbase (mm)	4250

## Engine

Type	Ecotorq 9 liters
Displacement (cc)	8974
Diameter x Stroke	115 mm x 144 mm
Power	330 PS (243 kW) @ 1655 - 2200 rpm*
Torque	1300 Nm @ 1200-1700 rpm
Compression Ratio	17,6 : 1
Oil Filling Volume	30 L
Coolant Volume	46 L

\* Maximum power can be taken between 1700 - 2200 rpm with vertical exhaust option.

## Transmission

Clutch	430 mm Single Disc
Manuel Transmission / Ratios (1. gear - 9. gear)	9+1 Speed (9,40 - 0,75)
Automated Transmission / Ratios (1.gear - 9 gear)	9+1 Speed (9,48 - 0,75)

## Steering

Power Assisted Single Circuit

## Chassis

Chassis Thickness	7 mm with Reinforcement
Chassis Strength	355 MPa
Suspension (Front/Rear)	Parabolic Leaf Spring / Compensating Arm Mechanical Suspension
Axle	Standard Single Reduction
Axle Ratio	4,63
Tyres (Front/Rear)	315/80 R 22,5
Wheel Rim	22,5 x 9 Steel

## Braking System

Brakes (Front/Rear) (Ø.mm x mm. Length)	430 x 45 - Disc Brake
Braking System	Dual Brake Circuit - Air Processing Unit With Integrated Oil Separator and Heater
Engine Brake Power	max. 220 kW (Engine Level)

## Electrical System

Battery	24V, 2 x 12V 150 Ah
Alternator / Starter Motor	130 A / 6,5 kW

## Tanks

Fuel Tank	350 L Aluminium
SCR Tank	55 L



Sharing the load

Dimensions (mm)	
Front Overhang	1500
Wheelbase	4250
Overall Length	8840
Distance between 2 <sup>nd</sup> and 3 <sup>th</sup> wheel centers	1320
Overall Cab Length	1820
Overall Vehicle Height	3105
Overall Vehicle Width (Excluding Mirrors)	2540
Chassis Width	866
Rear Overhang	1770
Useful Chassis Length	6486
Chassis Height - Front	1078
Chassis Height - Rear	1073
Ground Clearance - Front	304
Ground Clearance - Rear	239
Turning Radius	9350

Weights (kg)	1. Axle	2. Axle	3. Axle	Total
Technically Permissible Weights	7100	12000	8700	26000
Kerb Weight	4568	2015	1353	7936
Payload	2532	9985	7347	18064
GVM (Legal)	7100	11500	8700	25000

### STANDARD EQUIPMENT

- Radio/CD/MP3 Player
- Cruise Control
- Disc Brake
- Engine Brake
- Electronic Brake System (EBS) and Anti-Lock Brake System (ABS)
- Electronic Stability Control (ESP)
- Lane Departure Warning System (LDWS)
- Hill Launch Assist
- Electrically Operated Windows
- Electrically Operated and Heated Side Mirrors
- Rake and Reach Adjustable Steering Column
- Electrically Operated Headlight Leveling
- Heated and Air Suspended Driver Seat
- Lumbar Support
- Brake Lining Wear Sensor
- Immobilizer
- Single Key with Remote Control and Central Locking
- Rain Sensor
- Auto Light Sensor
- Home Safe Light
- Approach Light
- Front Fog Lamps
- Digital Tachograph
- Spare Wheel
- Tag Axle Lifting (Auto Drop Function)
- Advanced Emergency Braking System (AEBS)

### OPTIONAL EQUIPMENT

- Air Conditioner
- Residual Collection Pack
- Firefighter Pack
- Transmission Driven PTO & Interior Control Unit
- Engine Driven PTO & Interior Control Unit \*\*
- ADR
- Cold Climate Pack
- Auxiliary Cabin Heater (Wet Type)
- Power Cab Tilting
- Differential Lock
- Metallic Paint / Special Colors
- 4750 mm Wheelbase Option
- Vertical Exhaust \*
- Short Bumper \*
- 12 R 22,5 Tyre Option
- Dual Passenger Seat
- Low Liner Pack - with 315/60 Tyre and 4,11 Axle Ratio
- 3,5T Towing Capability
- 10T Towing Capability with 4,89 FDR
- 8T Front Axle Technical Capacity (Available only with 315/80 Tyres)
- Manually Operated Sunroof
- Less Spare Tire

\* Available for Residual Collection Pack Only.  
 \*\* Available for Residual Collection Pack & Fire Fighters.